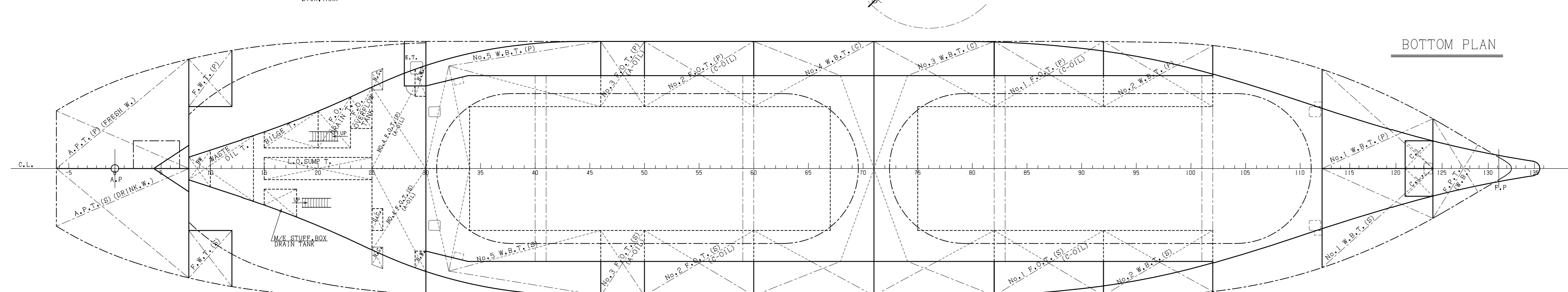
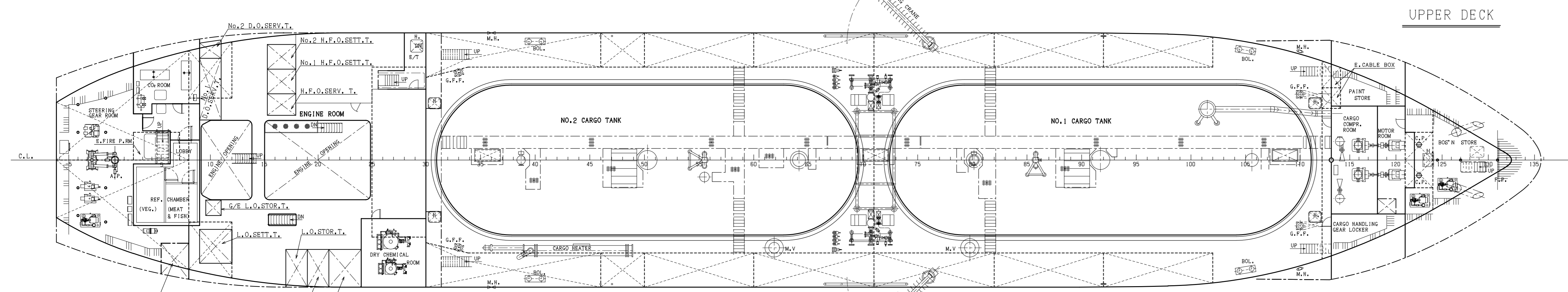
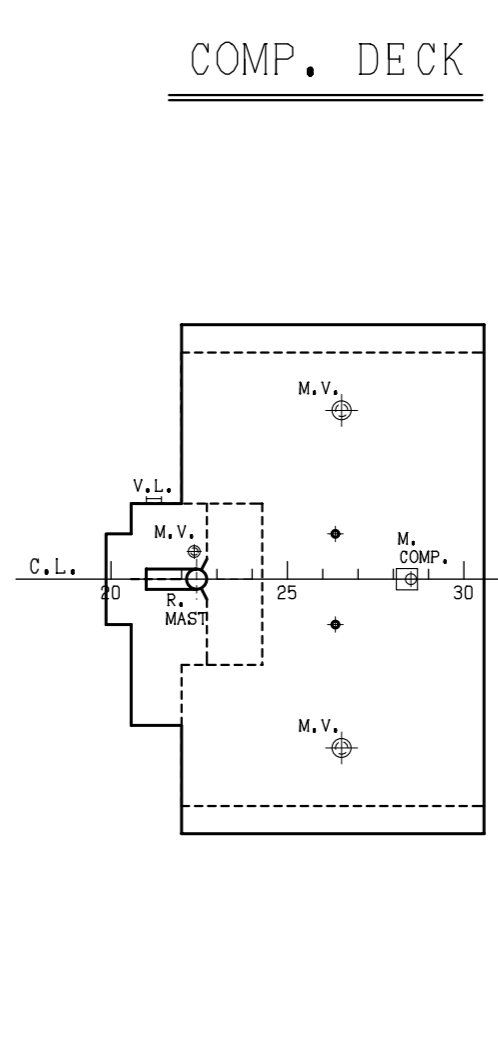
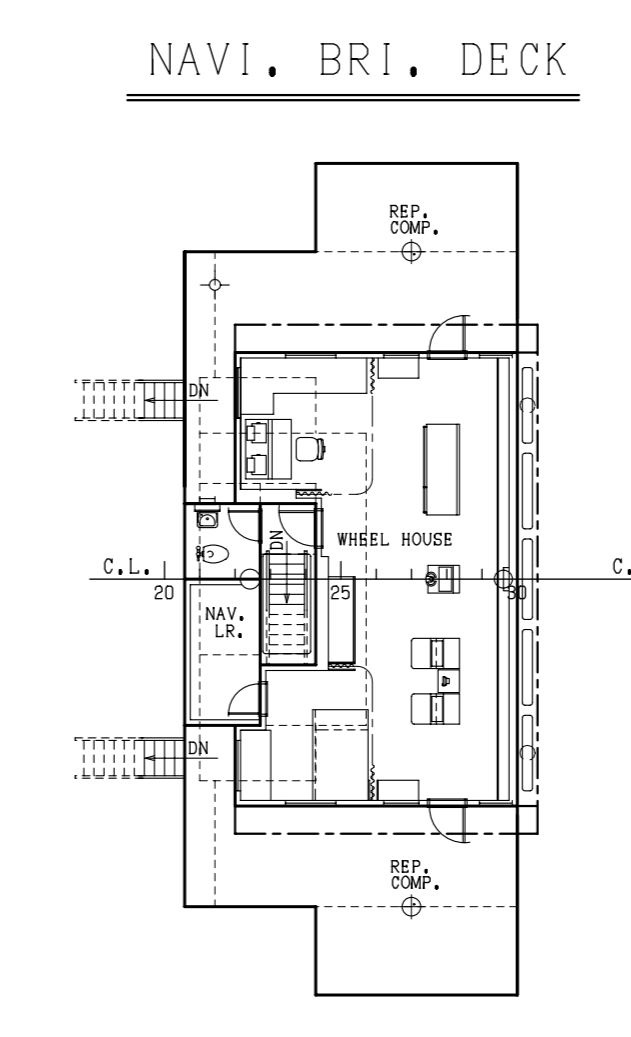
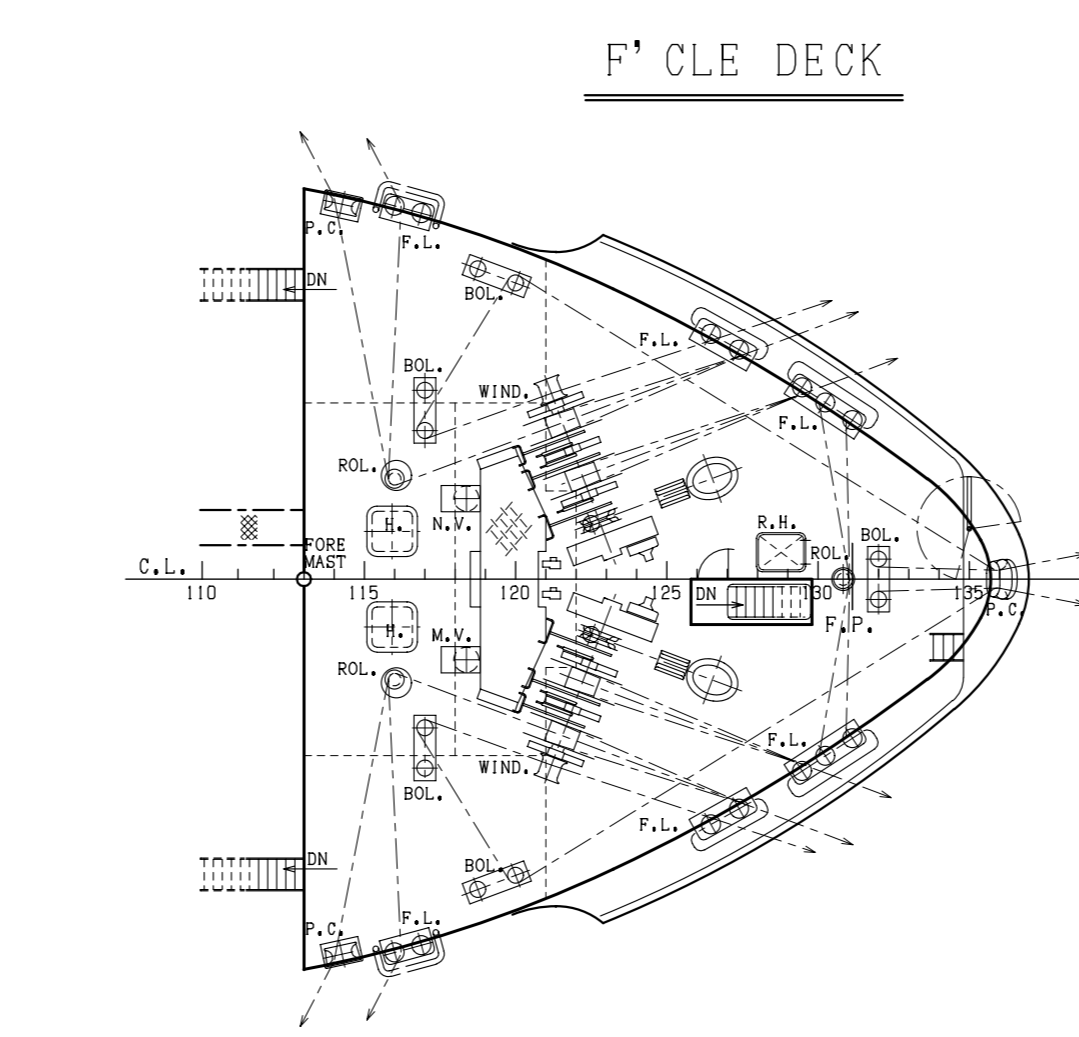
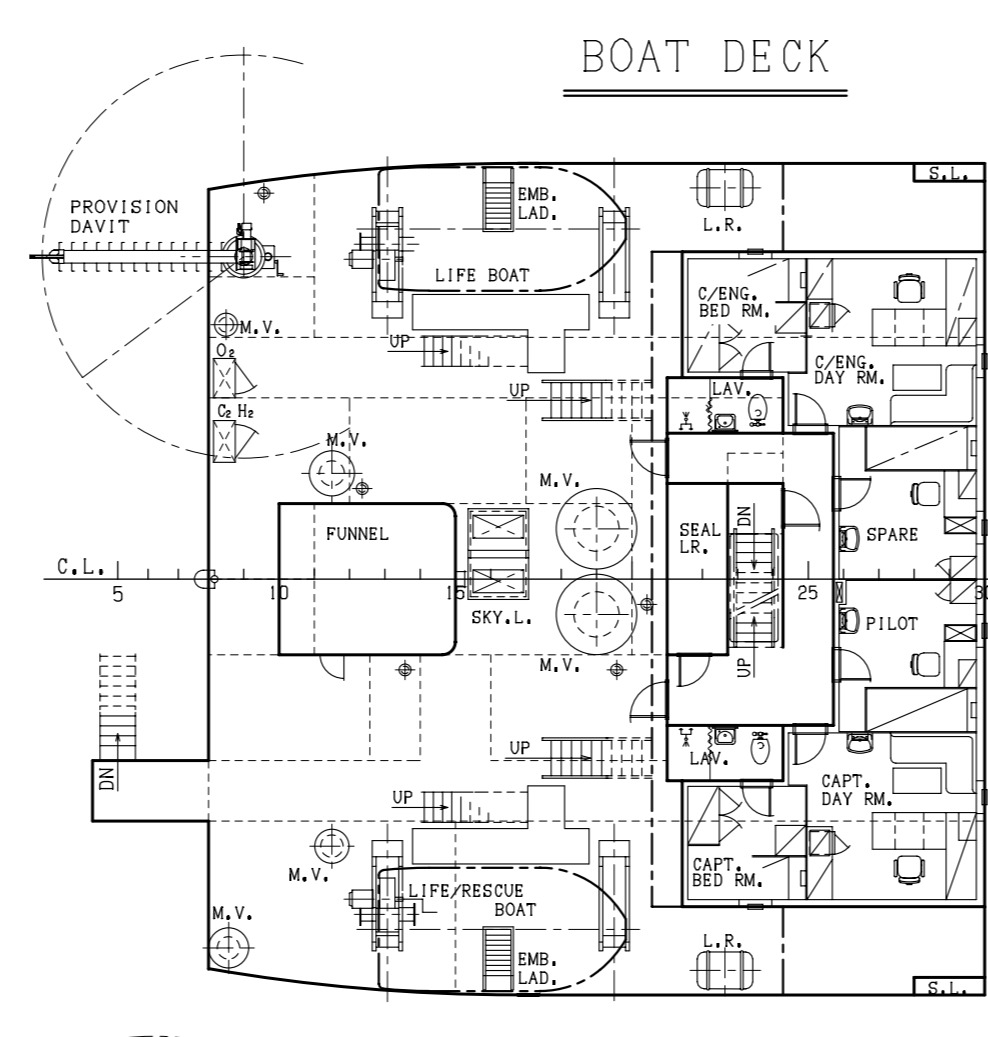
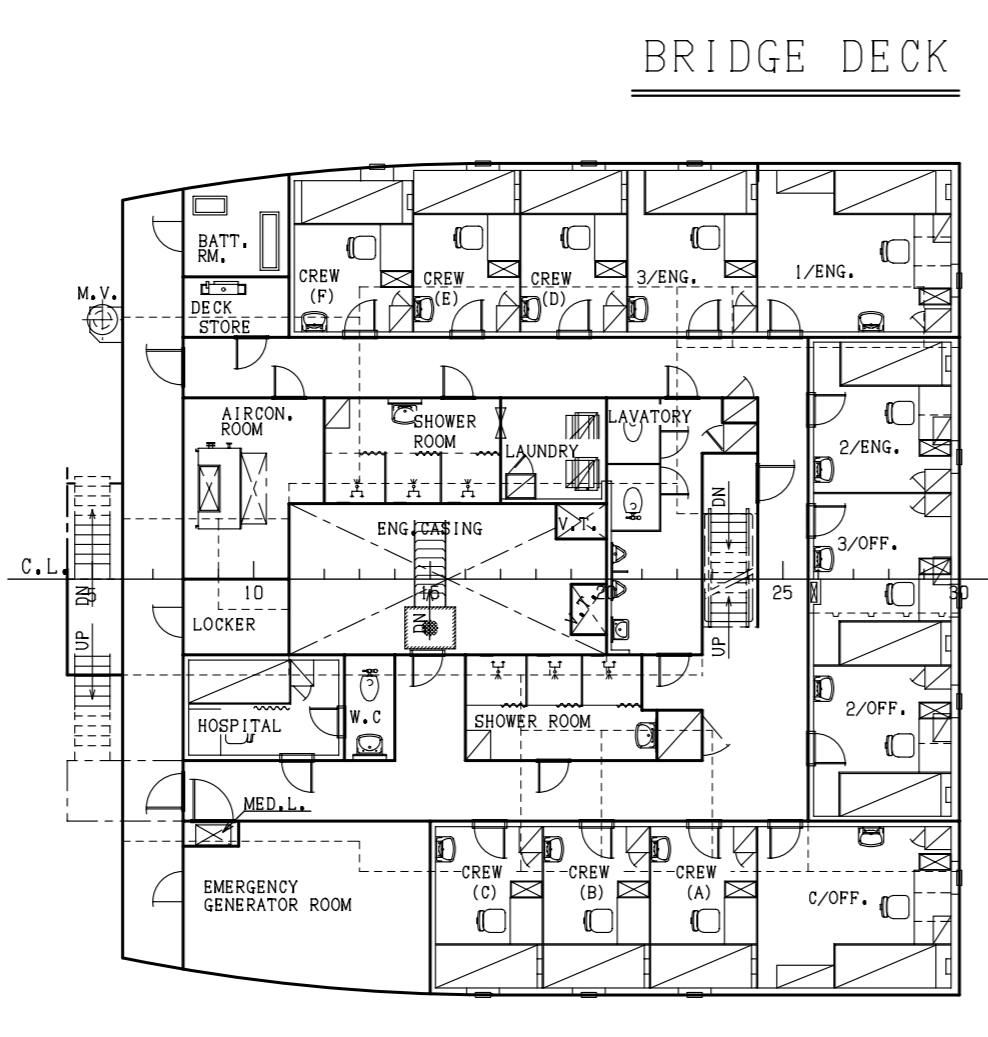
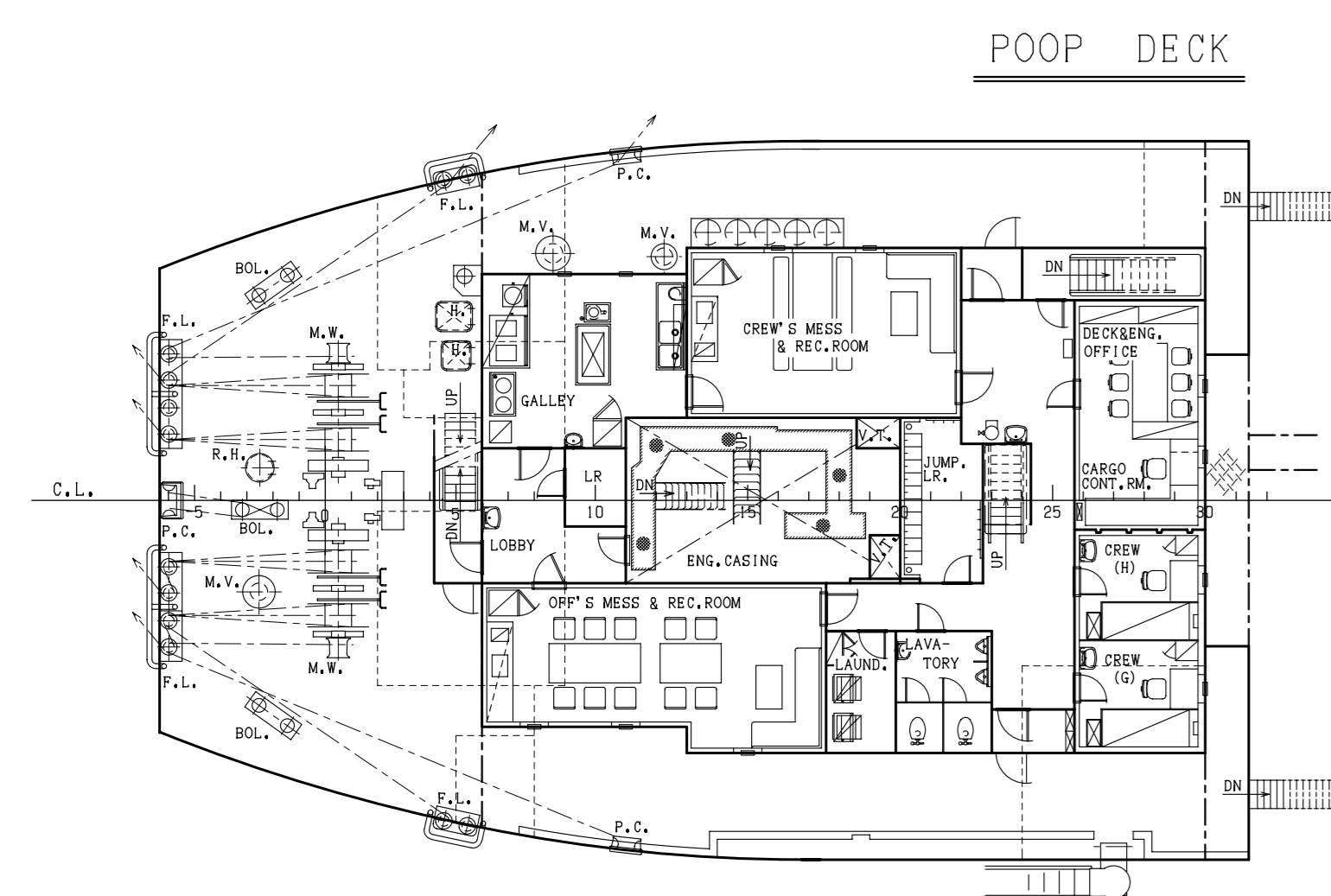
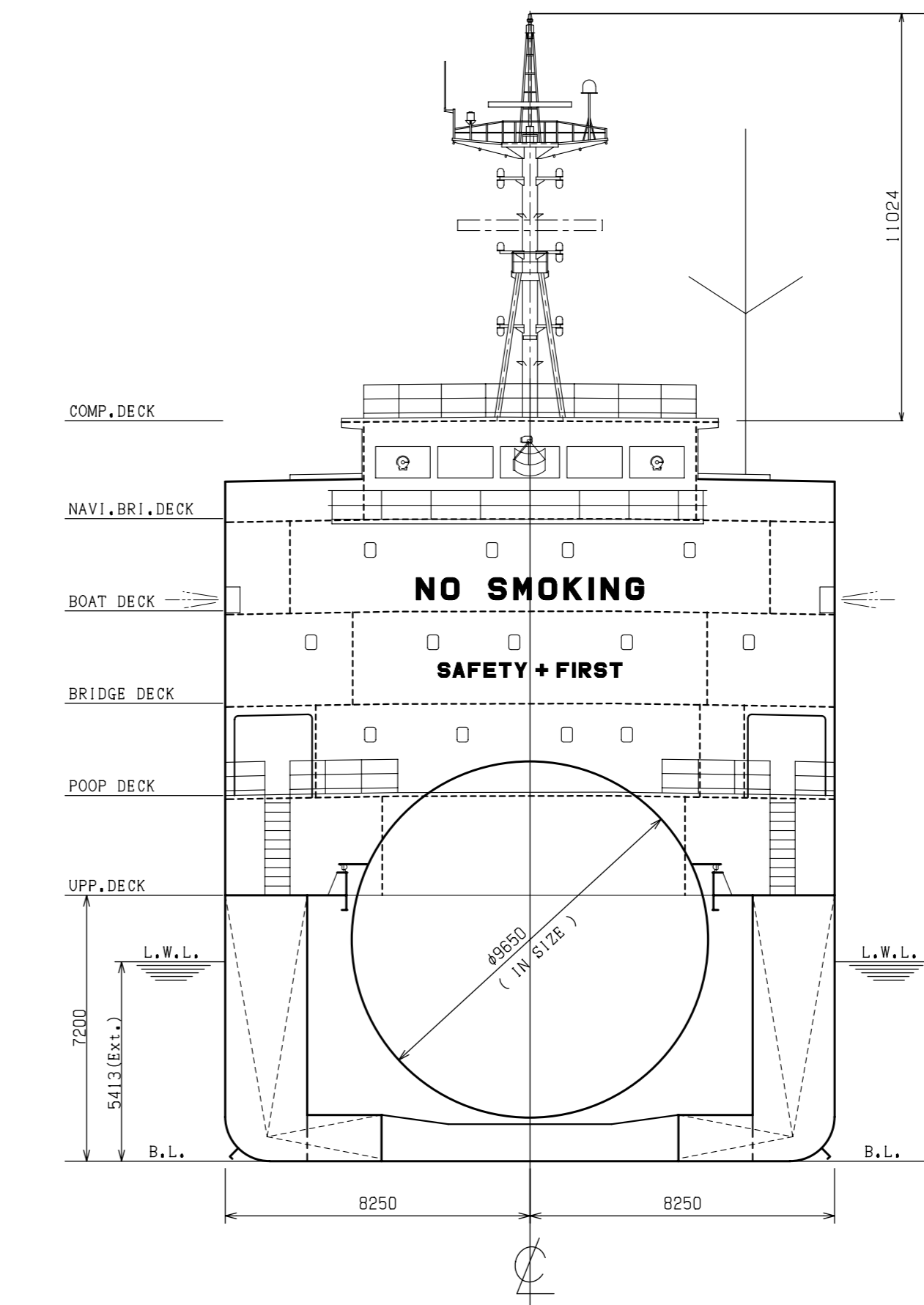
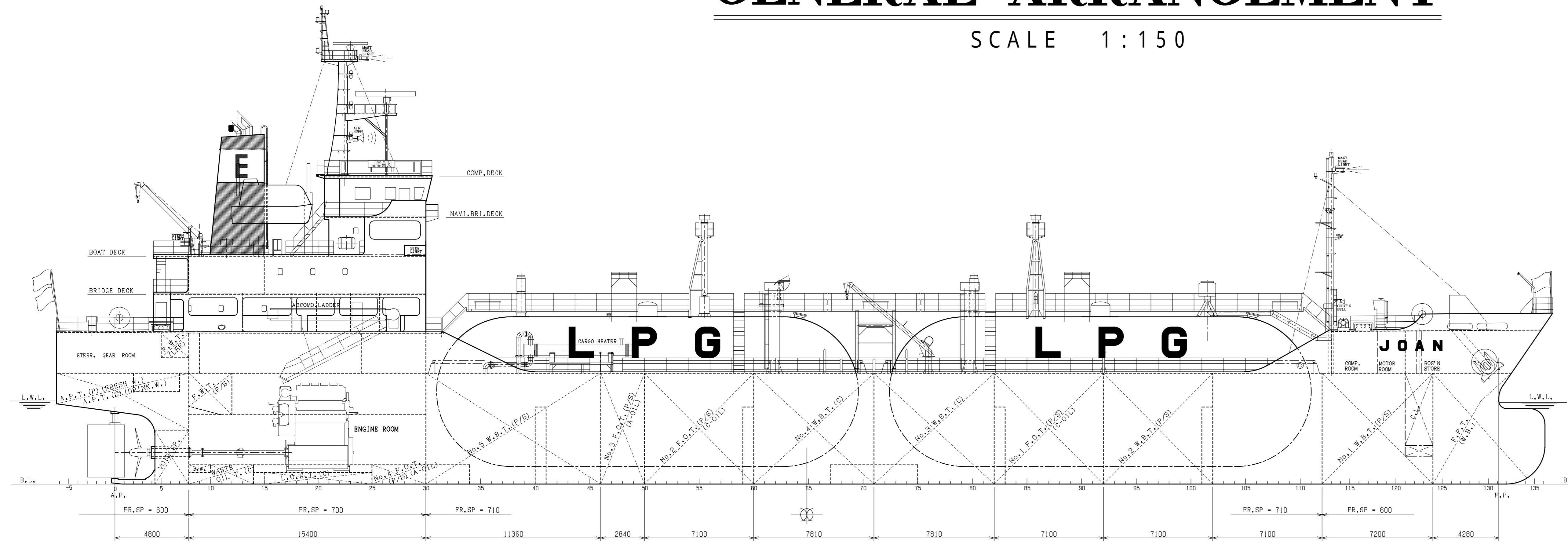


"M.V. JOAN"

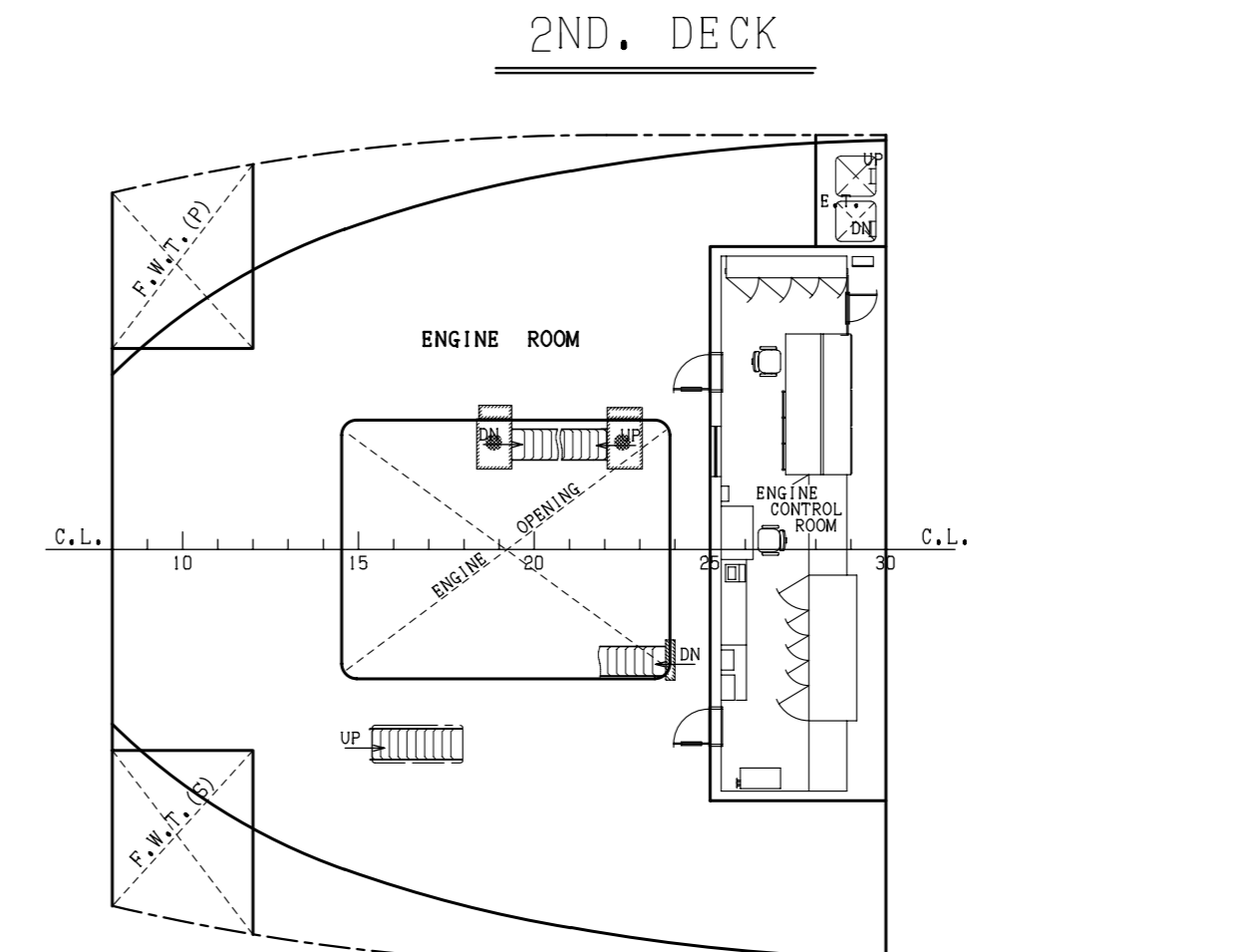
GENERAL ARRANGEMENT

SCALE 1:150



PRINCIPAL DIMENSIONS

LENGTH (O.A.)	97.236 m
LENGTH (P.P.)	89.90 m
BREADTH (MLD)	16.50 m
DEPTH (MLD)	7.20 m
FULL LOAD DRAFT (SUMMER EXT.)	5.413 m
GROSS TONNAGE (INTERNATIONAL)	3493 T
DEADWEIGHT (SUMMER)	3999.78 t
TANK CAPACITY	3540.21 m ³
MAIN ENGINE	MAKITA-MITSUBI-MAN B&W 5L35MC-MARK6 X I
M.C.O.	2700KW X 210min ⁻¹
C.S.O. (90% C.O.)	2430KW X 203min ⁻¹
SERVICE SPEED (90% C.O., 15% W.)	abt. 13.2 Kts
COMPLEMENT	18 P
CLASSIFICATION	NK, NSX (Liquefied Gas Carrier Type 2PG, MNSX (MD))
Descriptive Note	(Design maximum pressure 1.77MPa / minimum temperature -10 degree C)
NAVIGATION AREA	OCEAN GOING



BIBLIOGRAPHY

12th June 2009
for FINISHED PLAN

MANAGER	SHIP NO.	DRAWING NO.	CLASS
ASS. MANAGER	1078	B-110	N K
CHIEF	3,500 CBM.		
ASS. CHIEF	PRESSURIZED LPG/VCM CARRIER		
CHECKED	GENERAL ARRANGEMENT		
DRAWN	FINISHED PLAN		
DATE	12th June '09	SCALE	1:150

YAMANISHI CORPORATION